

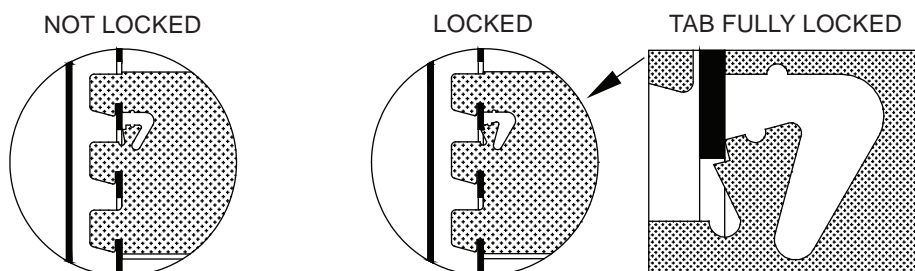
STEP ONE

Place post flat on the ground so that Post Connector slots are on the inside and the seam is on the outside. Post Connector slots are adjustable every 12" (305mm). Arrange Post Connectors at desired location, normally evenly spaced, with one always at top and bottom of post.

STEP TWO

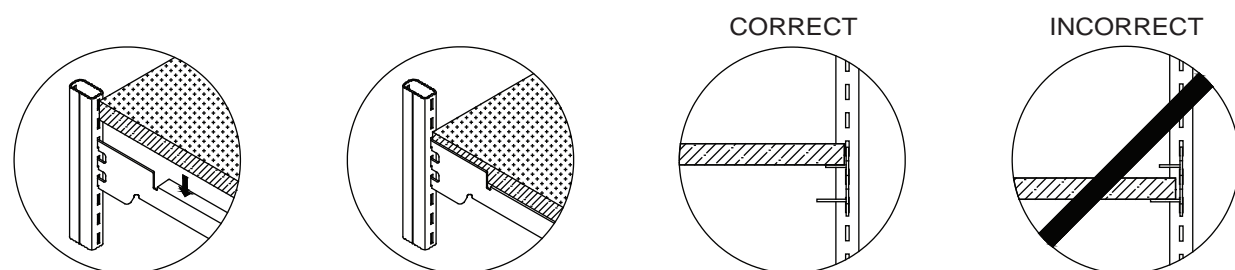
Starting from the bottom tap in one side of the Post Connector and LOCK IMMEDIATELY. Then tap in and lock the other side. The post will have to be spread slightly as you work your way up the post. Use a 1/4" or a 3/8" screwdriver or chainsaw wrench to lock connectors. Assembly time is approximately 1 to 2 minutes per 84" (2134mm) frame.

CAUTION - POST CONNECTOR MUST BE LOCKED FOR SAFETY



SHELF PLACEMENT

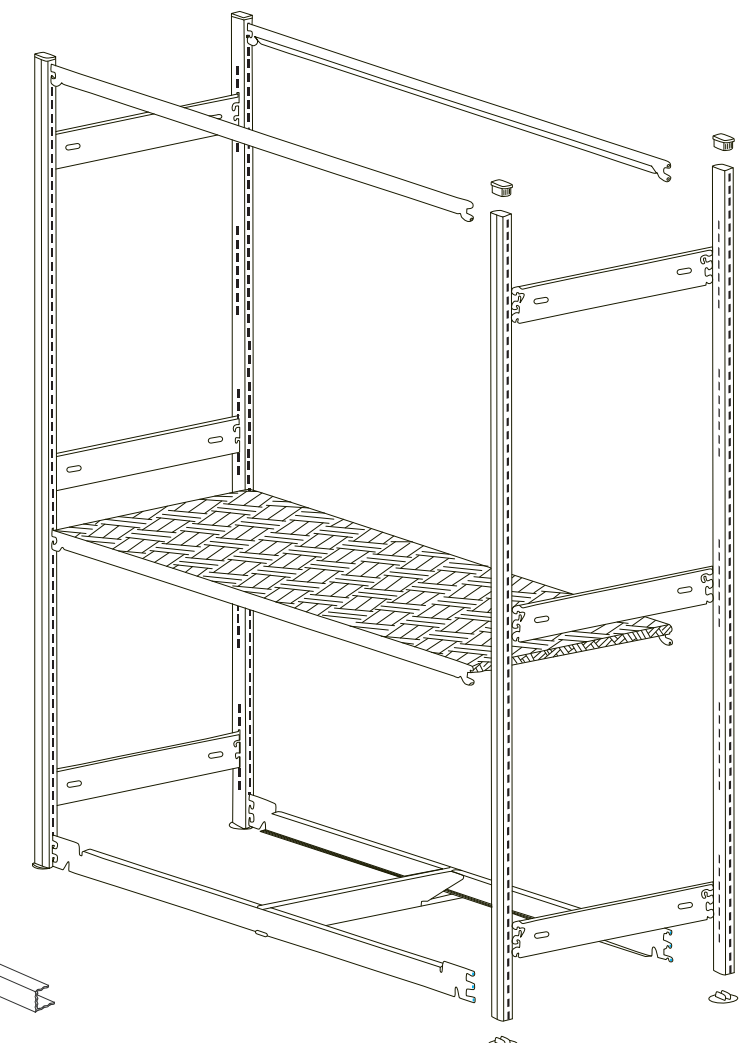
Lay the particleboard shelf on top of Frame Connector.



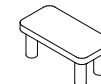
Load Capacities	Maximum Evenly Distributed Static Load Per Pair Of Connectors					
	36" 0.91m	39 1/2" 1.00m	48" 1.22m	60" 1.52m	66" 1.68m	72" 1.83m
4 Shelf Clips & one Metal 20ga. Shelf	350 lb 159 kg	290 lb 132 kg	200 lb 91 kg	---	---	---
TFCV	390 lb 177 kg	350 lb 159 kg	290 lb 132 kg	---	---	---
TBC	600 lb 272 kg	550 lb 249 kg	500 lb 227 kg	---	---	---
TWB	---	---	---	570 lb 259 kg	470 lb 213 kg	395 lb 179 kg
TWB with one Combination Tie Bar	---	---	---	972 lb 441 kg	810 lb 368 kg	729 lb 331 kg

Please note load capacities & components subject to change without notice.

SAFE WORKING LOADS OF UP TO 7,000 lbs (3,175 kgs) PER PAIR OF POST OR BAY OF SHELVING.
SAFETY FACTOR OF 1.66 TO 1.00 BASED ON MIN. YIELD STATIC LOADING ONLY.
PLEASE CONTACT THE FACTORY FOR CAPACITIES NOT SHOWN IN CHART.

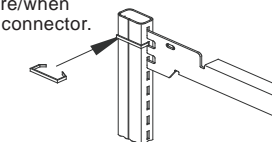


BLACK PLASTIC TOP



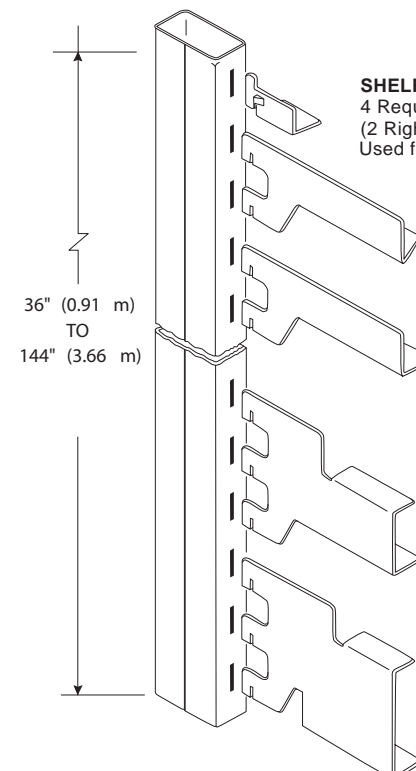
CONNECTOR LOCKING CLIP

Simply snap in connector locking clip where/when required to lock connector.



SHELF CLIPS

4 Required per shelf level (2 Right Hand & 2 Left Hand). Used for metal shelves.



TFCV FRAME CONNECTORS
Use with particleboard shelves. Available lengths: 36" (0.91m), 39 1/2" (1.00m), 48" (1.22m).

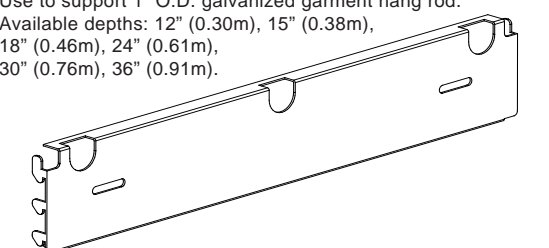
TFCL FRAME CONNECTORS
Use with metal shelves. Available lengths: 36" (0.91m), 39 1/2" (1.00m), 48" (1.22m).

TBC FRAME CONNECTORS
Use with metal or particleboard shelves. Available lengths: 36" (0.91m), 39 1/2" (1.00m), 48" (1.22m).

TWB FRAME CONNECTORS
Use with metal or particleboard shelves, and as a kickplate. Available lengths: 36" (0.91m), 39 1/2" (1.00m), 48" (1.22m), 60" (1.52m), 66" (1.68m), 72" (1.83m).

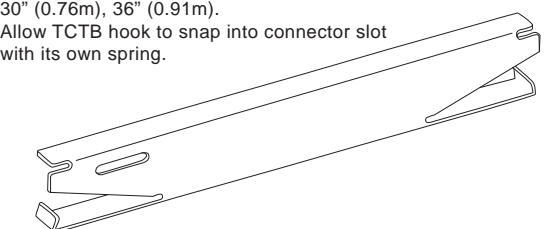
TRB GARMENT ROD SUPPORT

Use to support 1" O.D. galvanized garment hang rod. Available depths: 12" (0.30m), 15" (0.38m), 18" (0.46m), 24" (0.61m), 30" (0.76m), 36" (0.91m).



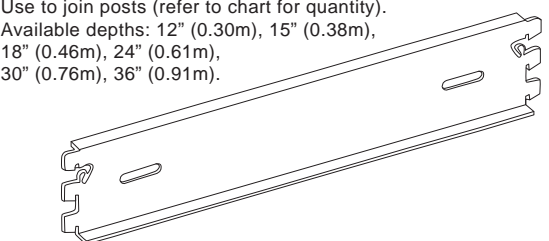
COMBINATION TIE BARS

Use with TWB connectors. Available depths: 18" (0.46m), 24" (0.61m), 30" (0.76m), 36" (0.91m). Allow TCTB hook to snap into connector slot with its own spring.

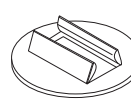


POST CONNECTORS

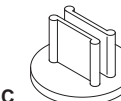
Use to join posts (refer to chart for quantity). Available depths: 12" (0.30m), 15" (0.38m), 18" (0.46m), 24" (0.61m), 30" (0.76m), 36" (0.91m).



ZINC PLATED FLOOR PROTECTOR



BLACK PLASTIC FLOOR PROTECTOR



ZINC PLATED SHIM



E-Z-RECT MANUFACTURING LTD.

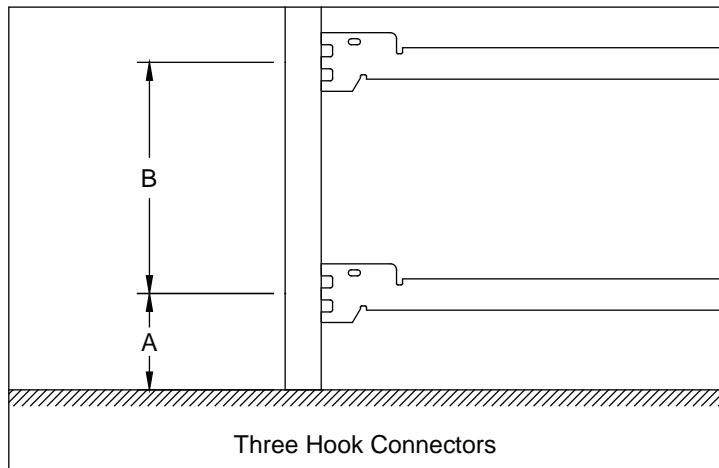
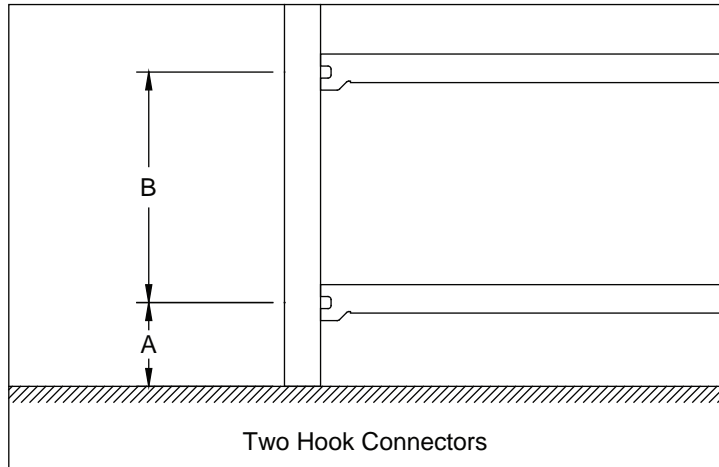
Head Office: 94 Riverside Drive, North Vancouver B.C. V7H 2M6
Fax: (604) 929-5184 Telephone: (604) 929-5461
Email: sales@ezrect.ca Website: www.ezrect.ca

Eastern Div.: 185 Admiral Blvd., Mississauga, Ont. L5T 2T3
Fax: (905) 564-0953 Telephone: (905) 564-0890

UK Sales: E-Z-Rect Ltd. trading as EZR Shelving
Witan Park, Avenue Two, Station Lane, Witney, Oxon OX28 4FH, United Kingdom
Fax: (01993) 704111 Telephone: (01993) 779494
Website: ezrshelving.com

ALLOWABLE SPACING BETWEEN FRAME CONNECTORS

	Light to Medium Loads up to 3,000lb (1,363kg) or up to 24" (609mm) in Depth	
	Two Hook	Three Hook
Dimension A Not to Exceed	12" (305mm)	20" (508mm)
Dimension B Not to Exceed	36" (914mm)	48" (1219mm)



ALLOWABLE SPACING BETWEEN FRAME CONNECTORS

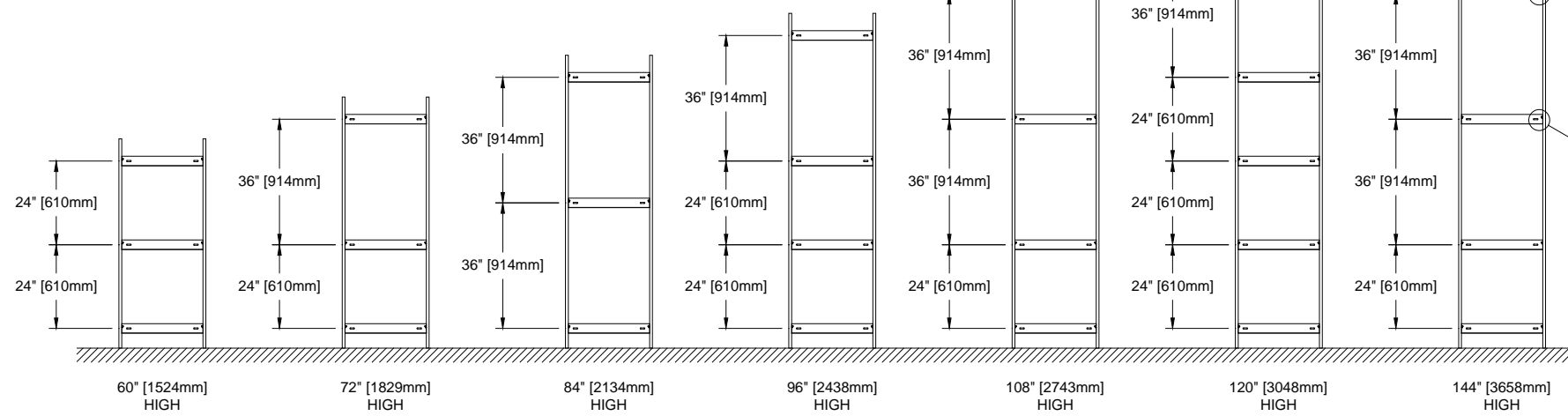
	Heavy Loads from 3,000lb (1,363kg) to 7,000lb (3,181kg) or 30" (762mm) and 36" (914mm) in Depth	
	Two Hook	Three Hook
Dimension A Not to Exceed	Bottom	6" (153mm)
Dimension B Not to Exceed	24" (610mm)	30" (762mm)

LAYOUT INFORMATION

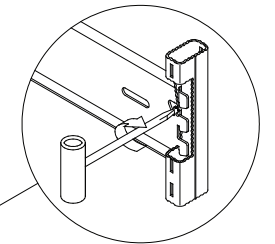
When designing shelving layout, allow for an additional 1 1/2" (38.1 mm) creepage for each end frame in the row and 1" (25.4 mm) creepage in depth for each end frame.

NUMBERS OF POST CONNECTORS REQUIRED

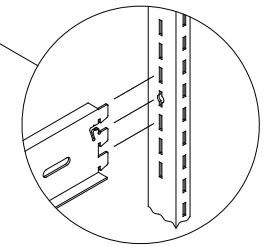
Height of Post		Light to Medium Loads up to 3,000lb (1,363kg) or up to 24" (609mm) in Depth
Inches	Metric	
24" to 36"	609mm to 914mm	2
48" to 84"	1219mm to 2314mm	3
96" to 108"	2438mm to 2743mm	4
120" to 144"	3048mm to 3657mm	5



POST CONNECTOR TABS MUST BE LOCKED IN PLACE FOR SAFETY, TYP.

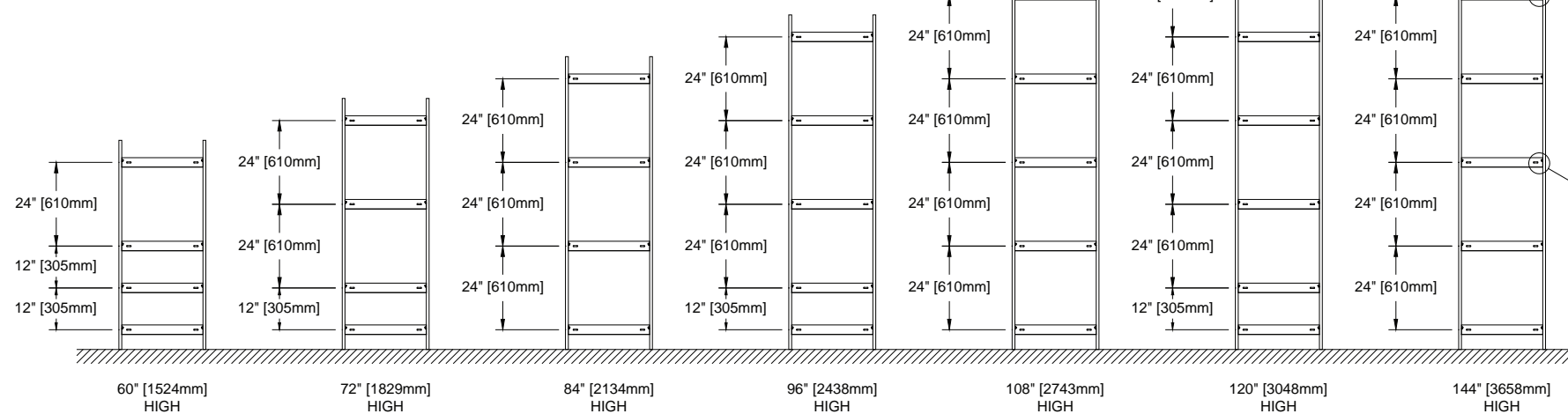


USE THREE MIDDLE POST CONNECTOR SLOTS, TYP.

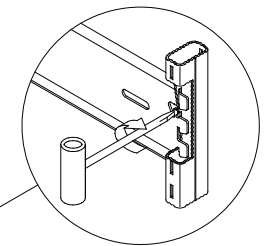


NUMBERS OF POST CONNECTORS REQUIRED

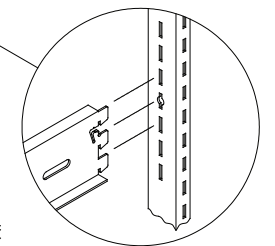
Height of Post		Heavy Loads from 3,000lb (1,363kg) to 7,000lb (3,181kg) or 30" (762mm) and 36" (914mm) in Depth
Inches	Metric	
24" to 36"	609mm to 914mm	3
48" to 84"	1219mm to 2314mm	4
96" to 108"	2438mm to 2743mm	5
120" to 144"	3048mm to 3657mm	6



POST CONNECTOR TABS MUST BE LOCKED IN PLACE FOR SAFETY, TYP.



USE THREE MIDDLE POST CONNECTOR SLOTS, TYP.



IMPORTANT NOTES:

- Post Connector requirements are for static loading only; no shocks, vibrations, seismic, mobile or other special conditions are considered.
- Always lock all post connectors on both sides to the posts that make up the shelving end frame. Refer to the assembly instructions guide for typical placement.
- Be sure the post connectors are tapped down completely so the locking tab can be fully engaged before twisting the locking tab as per drawing. It is best to use a chainsaw wrench but a 3/8" screwdriver can also be used.
- Not locking the post connectors can lead to a dangerous situation and the shelving could collapse.
- Please contact your sales representative or the factory direct for help on shelving assembly, seismic and mobile conditions, and heights over 144" (3.66m) at 1-888-397-4353.